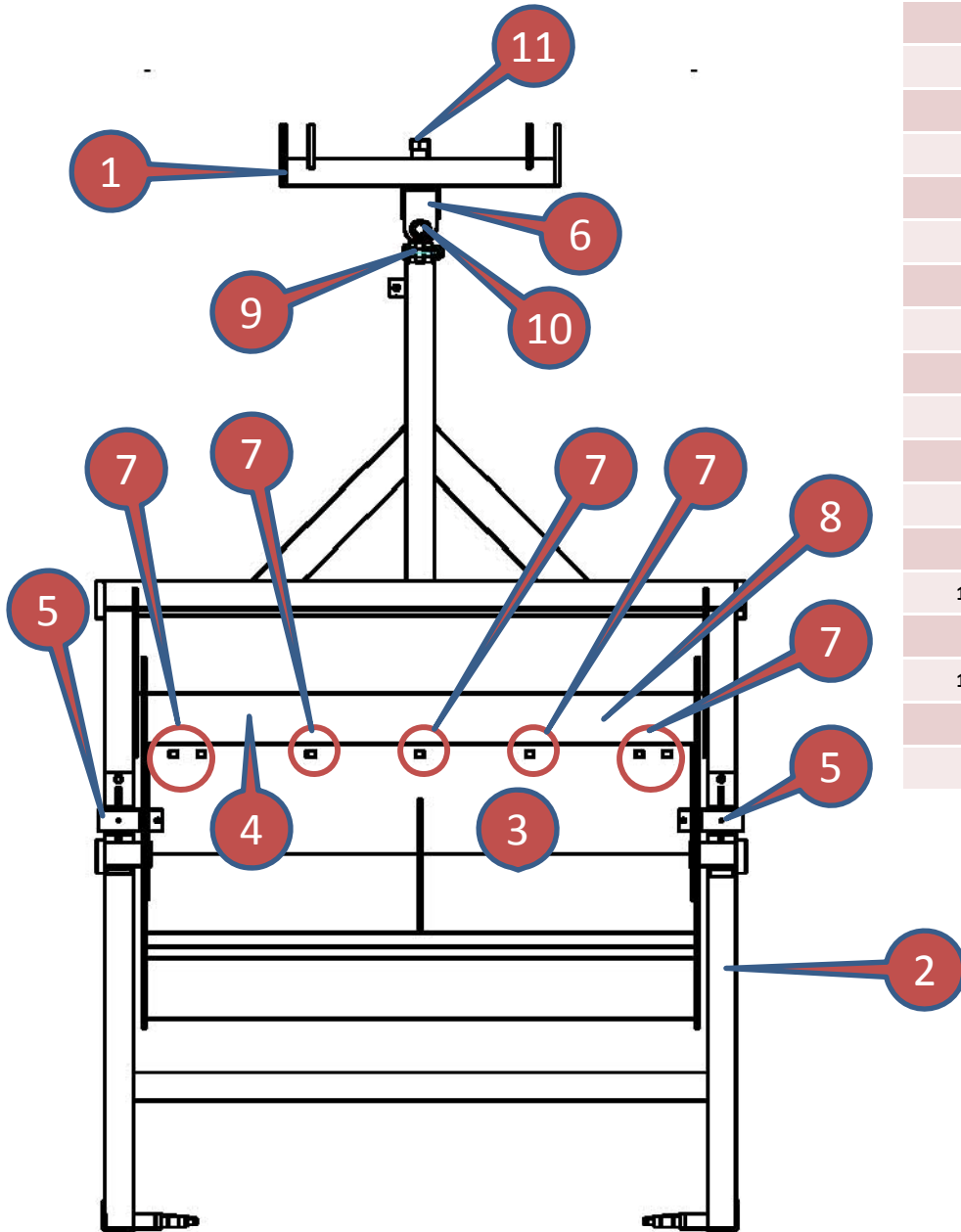


Durabilt Industries, LLC

Dirt Pan DP-84 Parts Breakdown

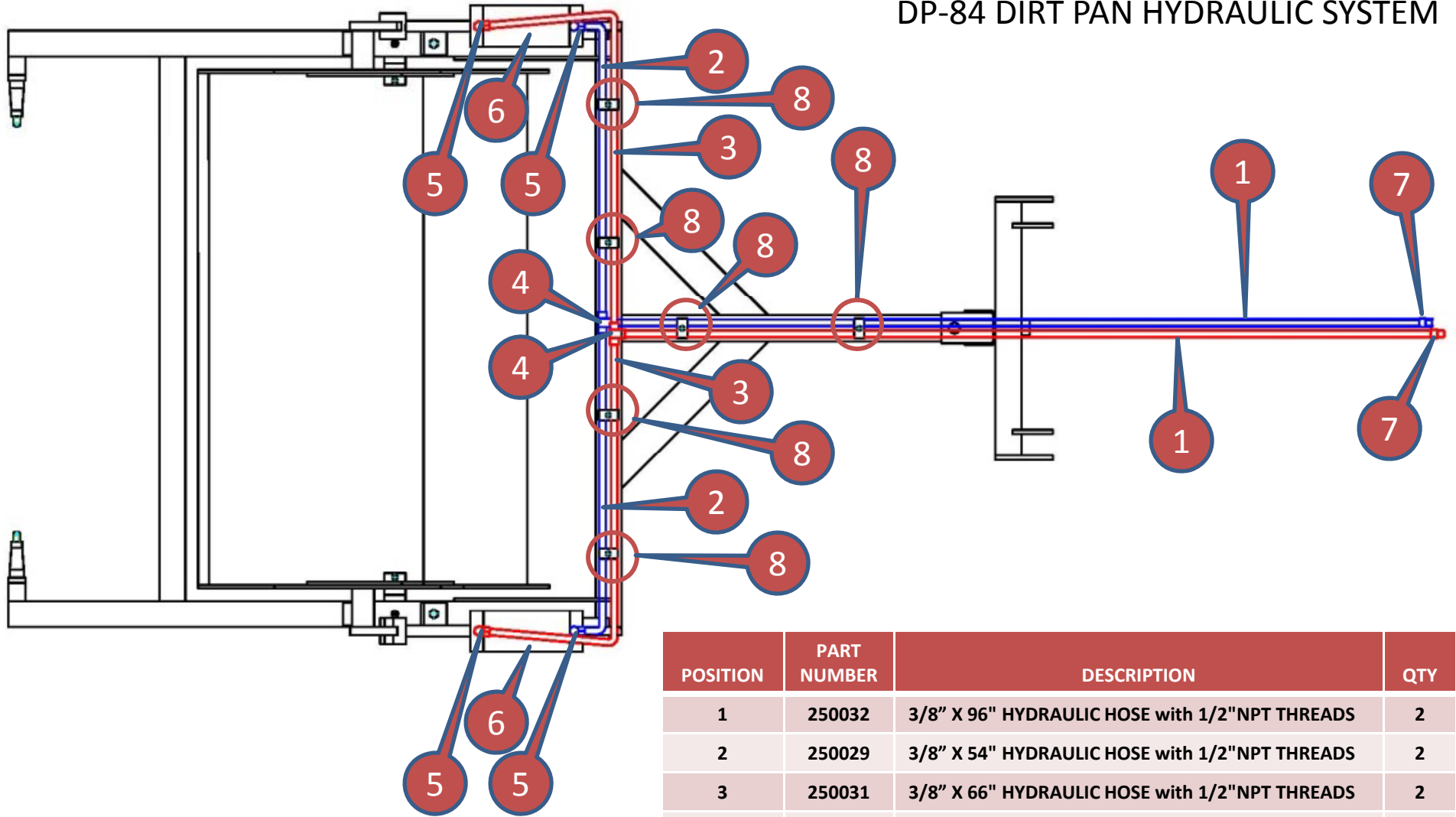


DP-84 DIRT PAN



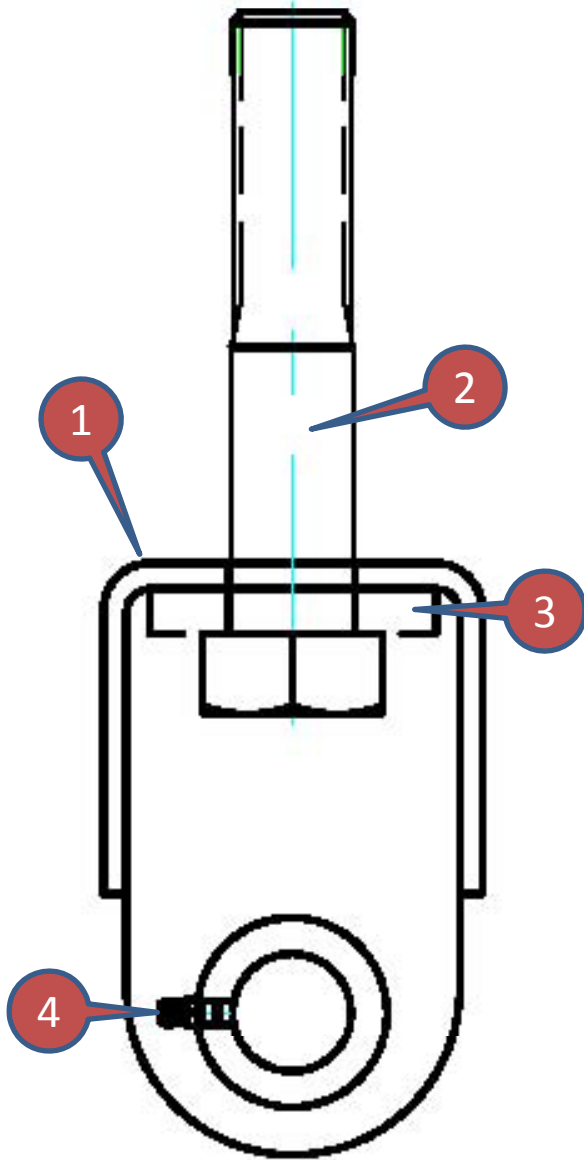
POSITION	PART NUMBER	DESCRIPTION	QTY
1	428539	SWIVEL HITCH ASSY	1
2	428510	MAIN FRAME	1
3	428520	BUCKET ASSY.	1
4	300112	BUCKET CUTTING BLADE	1
5	428060	BEARING BLOCK ASSY.	2
6	428044	PIVOT ASSEMBLY	1
7	220047	BLADE BOLT 5/8" X 1-3/4"	9
	220194	NUT 5/8"	9
	220072	WASHER 5/8"	9
8	300104	CUTTING BLADE	1
9	428041	HITCH MOUNTING ASSEMBLY	1
	300385	GREASE FITTING	1
	220019	BOLT 3/4" X 3-1/2"	2
	220170	LOCK WASHER 3/4"	2
	220069	NUT 3/4"	2
10	428048	PIVOT PIN	1
	220113	SET SCREW	2
11	220068	NUT 1-1/4"	1
	220106	ROLL PIN 1/2" X 2"	1
	220155	FLAT WASHER 1-1/4"	1

DP-84 DIRT PAN HYDRAULIC SYSTEM



POSITION	PART NUMBER	DESCRIPTION	QTY
1	250032	3/8" X 96" HYDRAULIC HOSE with 1/2"NPT THREADS	2
2	250029	3/8" X 54" HYDRAULIC HOSE with 1/2"NPT THREADS	2
3	250031	3/8" X 66" HYDRAULIC HOSE with 1/2"NPT THREADS	2
4	250039	1/2" HYDRAULIC TEE WITH ALL FEMALE THREADS	2
5	250040	1/2" X 90 HYDRAULIC ELBOW	4
6	250026	HYD. CYLINDER 3" X 8"	2
7	250007	½" NPT MALE QUICK COUPLER (PIONEER)	2
8	300041	HOSE CLAMPING BLOCK ASSY. (LESS WELD ON BASE)	6
	250008	HYD. CYLINDER SEAL KIT	

DIRT PAN SWIVEL HITCH PIVOT ASSEMBLY



POSITION	PART NUMBER	DESCRIPTION	QTY
1	428044	COMPLETE PIVOT ASSEMBLY	1
2	220015	BOLT	1
	220068	NUT 1-1/4"	1
	220106	ROLL PIN 1/4" X 2"	1
	220155	FLAT WASHER 1-1/4"	1
3	428047	SPACER	1
4	220113	SET SCREW 3/8" X 1/2"	2

DECALS MANUALS AND TOUCH-UP PAINT

PART NUMBER	DESCRIPTION	QTY
260011	LABEL: GREASE DAILY	2
260019	LABEL: STAY CLEAR	2
260007	LABEL: DURABILT (LARGE RED)	1
260006	LABEL: DIRT PAN	1
260024	LABEL: MADE IN THE USA	2
270002	OPERATORS MANUAL	1
270003	HYDRAULIC LAYOUT SHEET	1
490002	TOUCH-UP PAINT SPRAY CAN DURABILT YELLOW	

TIRES, WHEELS AND HUBS

PART NUMBER	DESCRIPTION	QTY
300559	TIRE AND WHEEL ASSEMBLY 11L X 15	2
300227	HUB ASSEMBLY	2
300587	SPINDLE	2
300201	INNER BEARING	2
300401	INNER BEARING RACE	2
300398	OUTER BEARING	2
300426	OUTER BEARING RACE	2
300453	DUST CAP	2
300137	GREASE SEAL	2